

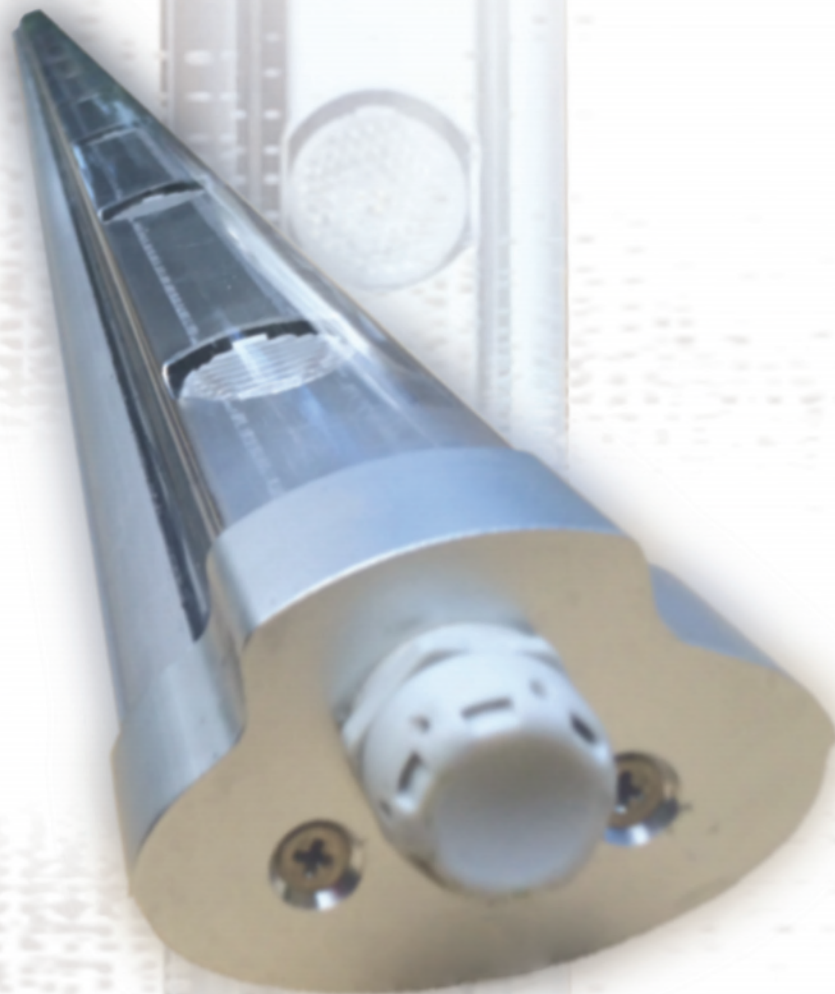


1.2W

ART LINE

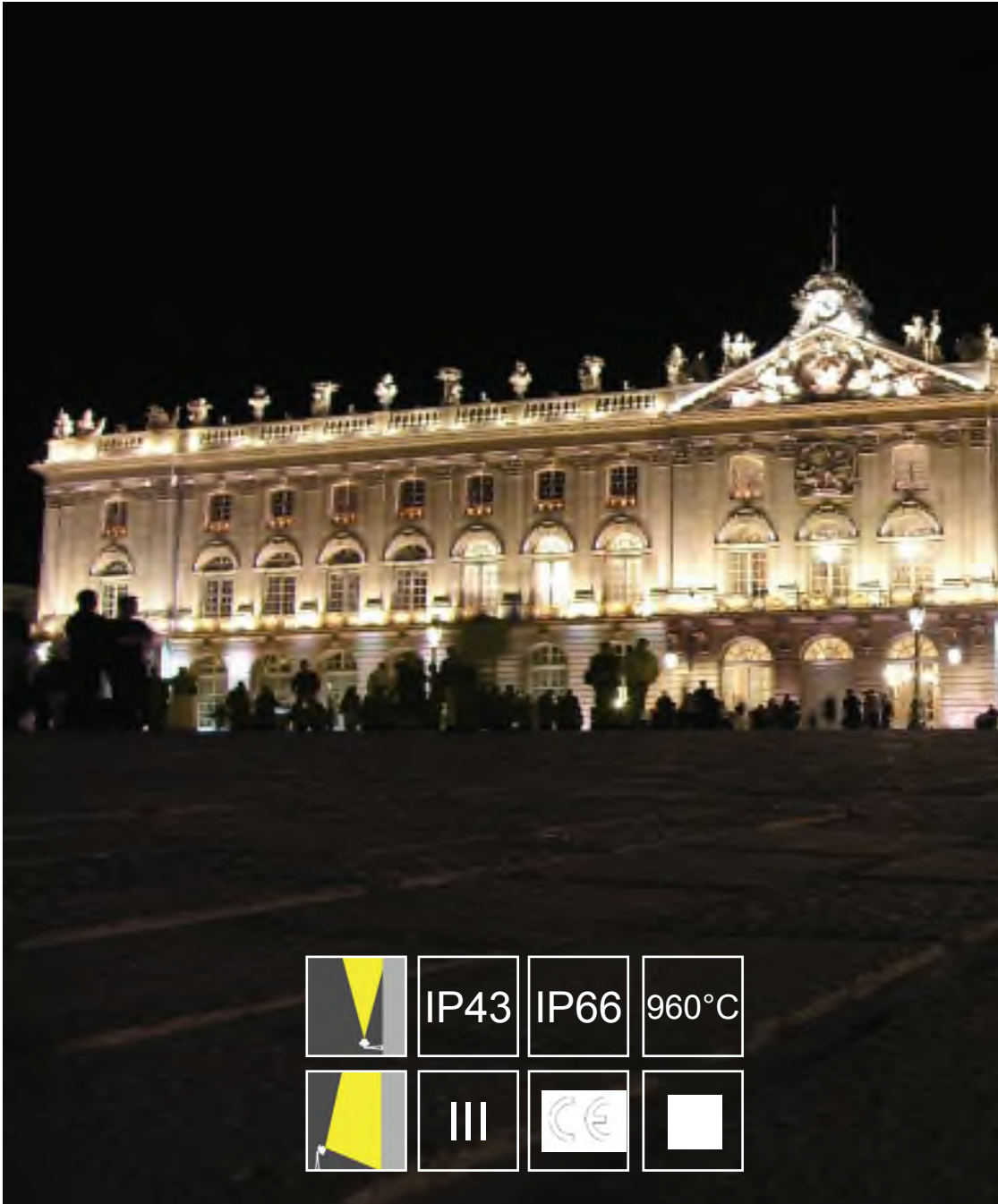






V3 CLASSIC X PRO



www.ledtolight.com

LEDTOLIGHT



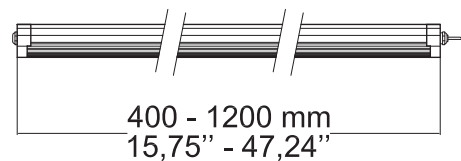
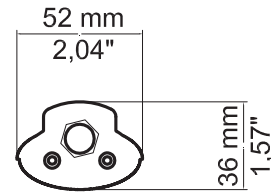
	IP43	IP66	960°C
	III		



1.2W ARTLINE V3 CLASSIC X PRO is a linear fixture powered by high brightness LED 1.2W (3000 K°) to provide a powerful and unique wallwash beam perfect for most architecture and facades. Thousand of ARTLINE V3 Series are already installed across the world since the fixture was designed in 2003. ART Line V3 has a slim body made of solid aluminium with marine grade anodized finish available in different colors. the lenses made in polycarbonate (optic grade) provide a perfect mix so that the beam is regular and compact without any shadows or side effects. the cristal clear polycarbonate cover has an anti scratch surface treatment and is also UV resistant. ART Line Classic is IP 67 for external uses. the wire is UV

1.2W ARTLINE V3 CLASSIC X PRO est un luminaire developpe pour eclaire les facades et l'architecture avec un eclaire puissant et de haute qualite. Le corps est fabrique dans de aluminium massif anodise pour une meilleure protection contre les agressions exterieures, y compris l'air marin. Les optiques en polycarbonate "qualite optic" ont ete concues pour fournir un melange de flux parfait. La vasque exterieure est en aussi en polycarbonateoptique traite anti rayures, anti UV, et a une resistancesuperieure au fil incandescent. L'appareil est IP 67 pour un usage exterieur. le cable est aussi traite anti UV et resistant a l'eau et a la plupart des produits chimiques. Les vis et les accessoires de fixations sont en acier inoxydables concus pour un usage illimite dans le temps.

1.2W ARTLINE V3 CLASSIC X PRO



	SKU / REF:	Length / Longueur:	Power / Puissance [W]:	Optic / Optique:	Weight / Poids:
INDOOR / INTERIEUR	ALCV3I10400-60x60	15,75" / 400 mm	5	60 °	1.87 lb / 850 g
	ALCV3I10800-60x60	31,49" / 800 mm	11	60 °	3.48 lb / 1580 g
	ALCV3I11200-60x60	47,24" / 1200 mm	17	60 °	4.91 lb / 2230 g
	ALCV3I10400-12x50	15,75" / 400 mm	5	12 x 50 ° [Elliptical Optic / Optique Elliptique]	1.87 lb / 850 g
	ALCV3I10800-12x50	31,49" / 800 mm	11	12 x 50 ° [Elliptical Optic / Optique Elliptique]	3.48 lb / 1580 g
	ALCV3I11200-12x50	47,24" / 1200 mm	17	12 x 50 ° [Elliptical Optic / Optique Elliptique]	4.91 lb / 2230 g
OUTDOOR / EXTERIEUR	ALCV3O10400-60x60	15,75" / 400 mm	5	60 °	1.87 lb / 850 g
	ALCV3O10800-60x60	31,49" / 800 mm	11	60 °	3.48 lb / 1580 g
	ALCV3O11200-60x60	47,24" / 1200 mm	17	60 °	4.91 lb / 2230 g
	ALCV3O10400-12x50	15,75" / 400 mm	5	12 x 50 ° [Elliptical Optic / Optique Elliptique]	1.87 lb / 850 g
	ALCV3O10800-12x50	31,49" / 800 mm	11	12 x 50 ° [Elliptical Optic / Optique Elliptique]	3.48 lb / 1580 g
	ALCV3O11200-12x50	47,24" / 1200 mm	17	12 x 50 ° [Elliptical Optic / Optique Elliptique]	4.91 lb / 2230 g

*Part # Example / Ref. Exemple : ALCV3I10400-60x60-W - BCH - A

CRI: ≥ 90

Light Output Ratio (L.O.R.) [%]: 88.5

Lifetime expectancy: 70,000 hours

Cooling system: natural convection

Operating temperature: from -20°C to +70°C

Security: automatic thermic protection over +70°C

IRC : ≥ 90

Rendement lumineux [%]: 88.5

Duree de vie : 70,000 hours

Temperature de fonctionnement: de -20°C to +70°C

Refroidissement du systeme: convection naturelle

Securite: Protection thermique automatic au-dessus de +70°C

Product Characteristic / Characteristique du produit:

	SKU / REF:	Number of LED by product / Nombre de LED par produit	Total lighting output Flux totale émis [Lm]:	Luminous efficacy Efficacité lumineuse [Lm/W]:	Voltage [V]:
INDOOR / INTERIEUR	ALCV3I10400-60x60	4	354	71	12
	ALCV3I10800-60x60	8	708	64	12
	ALCV3I11200-60x60	12	1062	62	12
	ALCV3I10400-12x50	4	472	94	12
	ALCV3I10800-12x50	8	944	86	12
	ALCV3I11200-12x50	12	1416	83	12
OUTDOOR / EXTERIEUR	ALCV3O10400-60x60	4	354	71	12
	ALCV3O10800-60x60	8	708	64	12
	ALCV3O11200-60x60	12	1062	62	12
	ALCV3O10400-12x50	4	472	94	12
	ALCV3O10800-12x50	8	944	86	12
	ALCV3O11200-12x50	12	1416	83	12

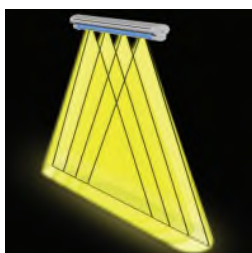
Photometric / Photometrie:

Beam / Angle = 60°



Distance [m]:	ALCV3I10400-60x60	ALCV3I10800-60x60	ALCV3I11200-60x60
	ALCV3O10400-60x60	ALCV3O10800-60x60	ALCV3O11200-60x60
	15,75" / 400 mm	31,49" / 800 mm	47,24" / 1200 mm
1	601 lux		
2	206 lux		
3	103 lux		
4	57 lux		
5	39 lux		
6	26 lux		
7	18 lux		

Beam / Angle = 12x50° [Elliptical Optic / Optique Elliptique]



Distance [m]:	ALCV3I10400-12X50	ALCV3I10800-12X50	ALCV3I11200-12X50
	ALCV3O10400-12X50	ALCV3O10800-12X50	ALCV3O11200-12X50
	15,75" / 400 mm	31,49" / 800 mm	47,24" / 1200 mm
1	1603 lux		
2	505 lux		
3	230 lux		
4	131 lux		
5	86 lux		
6	59 lux		
7	42 lux		



Color Temperature / Temperature de couleur:

SKU / REF:	Description:
AMB	Amber / Ambre
BCH	Warm white / Blanc chaud 3000K
BFR	Cool white / Blanc froid 5000K

*For other color temperature contact us / Pour d'autre temperature de couleur nous contacter

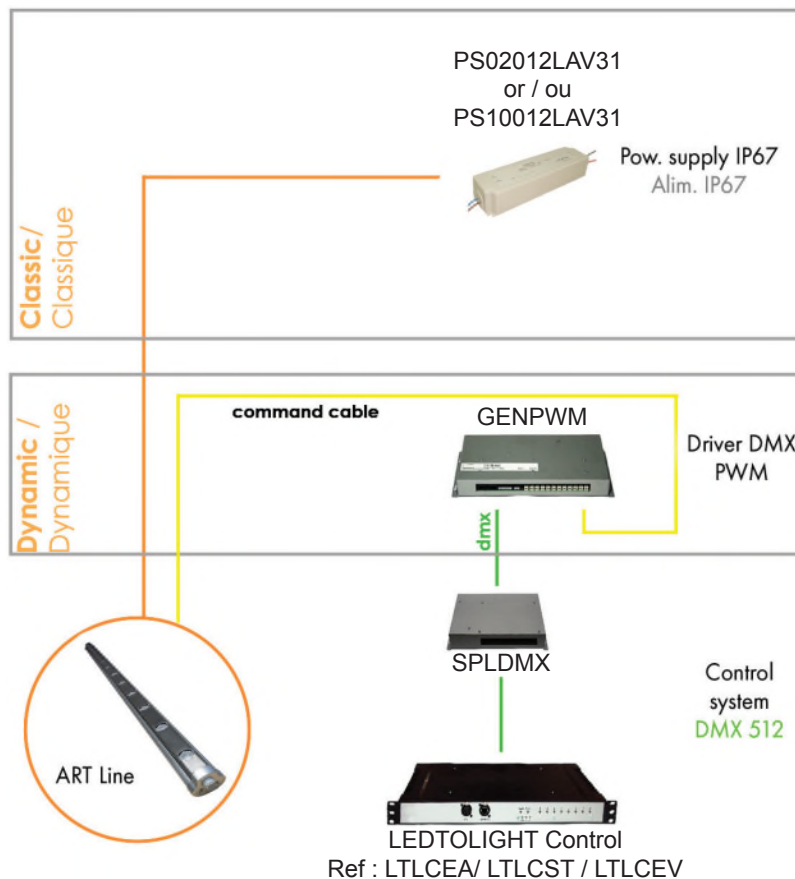
Product Color / Couleur du produit:

SKU / REF:	Description:
A	Bright anodized aluminum /Aluminium anodisé clair
N	Black / Noir

*For other color temperature contact us / Pour d'autre temperature de couleur nous contacter

INSTALLATION

System connection / Connection du systeme:



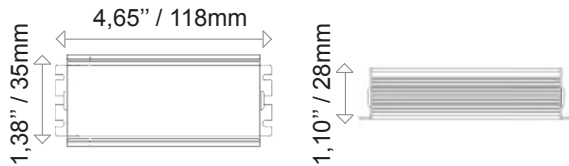
Power supply waterproof IP67 / Alimentation etanche IP67:

SKU/REF PS02012LAV31

Description

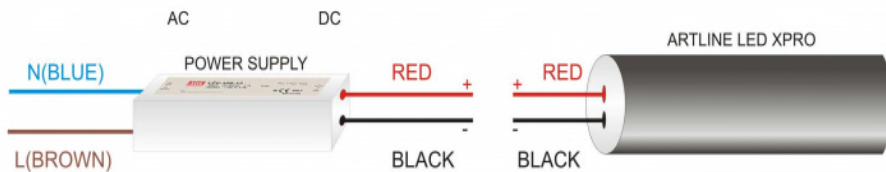
Power supply / Alimentation / DC
Input : 90-264V AC / 47-63Hz
Output : 12V
Rated power / Puissance Max. : 20 W
Operating temperature / Temparture de
fonctionnement : -25°C to +70°C
Warranty / Garantie : 2 years / ans

Dimension



Wiring diagram
/ Schéma
de cablage :

Driver for 1 fixture maximum /
Alimentation a usitiser pour max. 1
luminaire

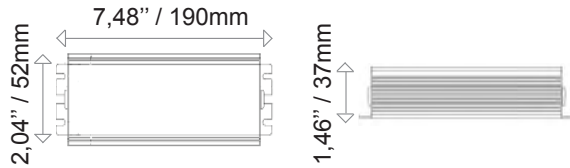


SKU/REF PS10012LAV31

Description

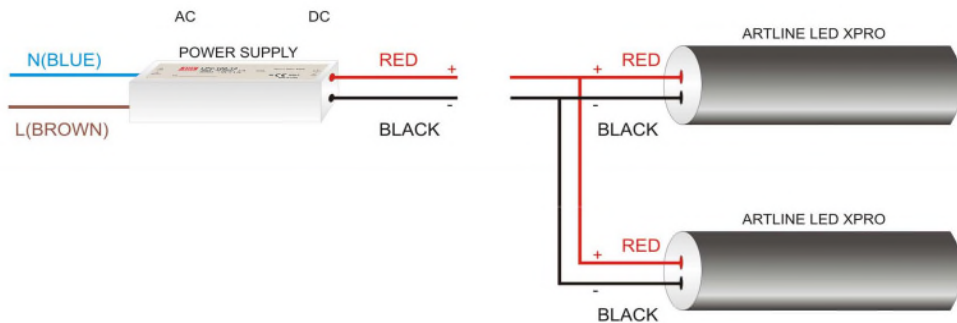
Power supply / Alimentation/DC
Input : 90-264V AC / 47-63Hz
Output : 12V
Rated power / Puissance Max. : 100 W
Operating temperature / Temparture de
fonctionnement : -25°C to +70°C
Warranty / Garantie : 2 years / ans

Dimension



Wiring diagram
/ Schéma
de cablage :

Driver for 5 fixtures maximum /
Alimentation a usitiser pour max. 5
luminaires




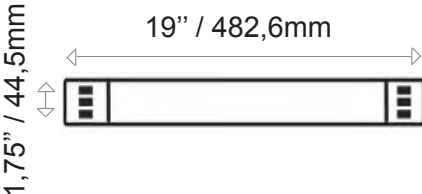
PWM Generator / Générateur PWM:

SKU / REF:	Description:	Dimension:
GENPWM	<p>Input : 90/240V - 50/60Hz Output : 12 independant outputs DMX : addressing by Dip Switch DMX connectors : RJ45 Different autotest programs / Différents programmes d'autotests Warranty / Garantie : 1 year / an</p>	
Description:		
<p>Generate a PWM signal to increase the systems fed by a classical power supply. Square signal has variable cyclic report of amplitude.</p> <p>Génère un signal PWM pour graduer les systèmes alimentés par une alimentation standard. Signal carré à rapport cyclique variable d'amplitude 5V.</p>		<ul style="list-style-type: none"> 1: DMX in/out 2: DMX start address 3: Mode 4: Power 5: PWM out 1 6: PWM out 2 7: PWM +5V 8: Ground 9: PWM out 12

DMX Splitter / Splitter DMX:


SKU / REF:	Description:	Dimension:
SPLDMX	<p>Input : 90/240V - 50/60Hz DMX connectors : RJ45 Dimensions : rack 19" 1U Regenerate the DMX signal / Régénère le signal DMX Warranty / Garantie : 1 year / an</p>	
Information:		
<p>LEDTOLIGHT Control Ref : LTLCEA/ LTLCSST / LTLCEV</p>		<p>SPLDMX</p> <ul style="list-style-type: none"> 1st way 2nd way 3rd way 4th way 5th way

LEDTOLIGHT CONTROL SYSTEMS/ SYSTEMES DE CONTROLE LEDTOLIGHT:


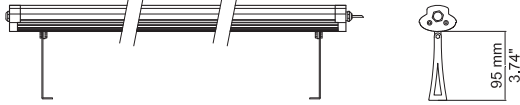
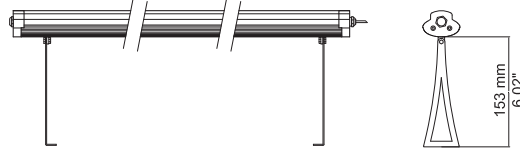
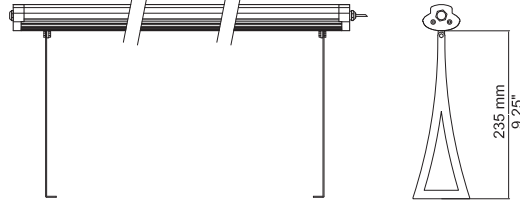
SKU / REF:	Description:	Dimension:
LTLCEA	<p>LEDTOLIGHT Control Easy : Small installations limited to 3 programs for a maximum of 5 Fixtures Petites installations limitées à 3 programmes pour un maximum de 5 appareils Warranty / Garantie : 1 year / an</p>	
LTLCSST	<p>LEDTILIGHT Control Standard : Multiples possibilities of programs, allows different projects Nombreuses possibilités de programmes, permet de faire évoluer différents projets. Warranty / Garantie : 1 year / an</p>	
LTLCEV	<p>LEDTOLIGHT Control Evolution : Quasi-unlimited possibilities, woks with the most sophisticated devices Possibilités quasi-illimitées, prise en charge des appareils les plus sophistiqués Warranty / Garantie : 1 year / an</p>	
Information:		
<p>External power supply : 90/240V - 50/60Hz Output : XLR 3pts (DMX 512) Control system : DMX 512 by a PC software interface PC connection : RJ45 / RJ45 crossed Direct access : 8 programs External interface : mural Board on connector SubD25 Dimensions : Rack 19" 1U Stocks and generates many programs</p> <p>Rack 19" 1U With LEDTOLIGHT Control system, the limit of your creativity is just your imagination. LEDTOLIGHT Control is easy to use and operate. Step 1: You setup the DMX channels in minuts. Step 2: you create yours scenes through LEDTOLITE control software. Step 3: you store your scenes into the interface and activate the stand alone mode. LEDTOLIGHT Control system will control all effects as long as you want and when you want. Control system DMX 512 through a software interface PC on 2 levels. Connection PC through USB port. DMX output on XLR3pt base. External release Contact on connector SubD25. Power supply 94/264 V 50/60 Hz</p>	<p>Alimentation externe : 90/240V - 50/60Hz Sortie : XLR 3pts (DMX 512) Système de contrôle : DMX 512 via une interface logiciel PC Connexion PC : RJ45 / RJ45 croisé Accès direct : 8 programmes Interface externe : clavier mural sur connecteur SubD25 Dimensions : Rack 19" 1U Stock et génère de nombreux programmes</p> <p>Rack 19" 1U Stocke et génère les programmes de l'ensemble de la gamme de luminaires de LEDTOLIGHT. Système de commande DMX 512 via une interface logiciel PC à 2 niveaux. Connection PC via le port USB. Sortie DMX sur embase XLR3pt. Contact de déclenchement externe sur connecteur SubD25. Alimentation 94/264 V 50/60 Hz</p>	

ACCESSORIES / ACCESSOIRES :

Glare shield / Protection anti-éblouissement:

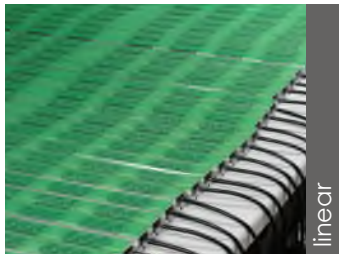
Picture / Image:	SKU / REF:	Dimension:
	GL0400	15,75" / 400 mm
	GL0800	31,49" / 800 mm
	GL1200	47,24" / 1200 mm

Bracket for linear / Lineaire support:

Picture / Image:	SKU / REF:	Dimension:
	MB80	
	MB160	
	MB230	

Wire / Cable:

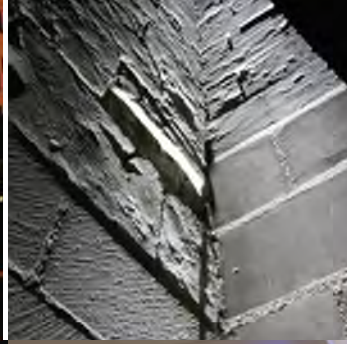
SKU / REF:	Description:	Lenght / Longueur:
7103	LEDTOLIGHT Cable DMX 512 XLR 3PT mâle /XLR3 femelle	3m
7201	LEDTOLIGHT Câble DMX 512 XLR 3PT mâle / RJ45	2m
7101	LEDTOLIGHT Câble DMX	1m
7302	LEDTOLIGHT Cordon RJ45 / RJ45	2m
7100	LEDTOLIGHT Câble 18 X 3 1 mm ²	2m
7100-E	LEDTOLIGHT Câble v8 x 0,22 mm ² UV RESISTANT	1m
7099	LEDTOLIGHT Câble 8 x 0,50 mm ²	1m





Achievements / Réalisations

Hôtel de Ville - Poitiers - 2009
Neo Light / RG ouest
Palais des congrès- Abidjan - 2009
MC2
Bureau MEDEF - Paris France - 2009
Maurice Giraud
Passerelle d'Aubusson - Aubusson France - 2009
Jean-Marc Penaud / ville d'Aubusson
Pont de la Terrade - Aubusson France - 2009
Jean-Marc Penaud / ville d'Aubusson
Nouvel an Canouan - Canouan - 2008
Preview Lighting
Centre commercial Rivétoile - Strasbourg France - 2008
Vincent Leroy / Art Entreprise
Théâtre - Troyes France - 2008
Acte Lumière
Grande place de Béthune - Béthune France - 2007
Krijn De Koning / Art Entreprise
Hôtel de ville de Nantes - Nantes France - 2007
RG Ouest
Boutique Balenciaga - Milan Italie - 2007
Benoît Laloz / Act Espace
Conservatoire d'Avignon - Avignon France - 2007
Acte Lumière
Disque Solaire - Nice France -2007
Benoît Laloz / Act Espace
Musée des Arts décoratifs - Paris France - 2006
Hervé Descottes
Siège Social Bouygues SA - Paris France - 2006
Art Entreprise
Musée Granet - Aix-en-Provence France - 2006
Patrice Eschasseriaux (côté lumière)
Ice Kube - Paris France - 2005
Laurent Saksik
Palais des victoires - Cannes France - 2005
Laurent Saksik
Nuit Blanche - Paris France - 2005
Art Entreprise
Centre commercial Nice Etoile - Nice France - 2005
Lightec
Place Stanislas - Nancy France - 2005
Pierre Yves Caillaud - CUGN Nancy
BHV Rivoli - Paris France - 2005
Benoît Laloz / Act Espace
Tournée mondiale orchestre moderne de Franckfort - 2004 / 2005
Benoît Laloz / Act Espace
Boutique Jean Patou - Paris France - 2004
Benzoni
Beffroi de Béthune - Béthune France - 2004
Krijn De Koning / Art Entreprise
Convention international Piaget - Paris France - 2004
Valérie Bodier / JLT Services
Centre Commercial « 4 Temps » - La Défense Paris France - 2003
4 temps - Lumière de Paris





Terms & conditions

conditions générales de vente

PRICES . Prices will be charged as in force at date of invoice. We reserve the right to review prices in the case of change of raw materials prices, such as aluminium -fuel. 2. SPECIAL COTATIONS not corresponding to our current price list and variance from these Terms & conditions of Trading shall only be valid if in writing and signed by one legal responsible of LEDTOLIGHT S.A.S. 3. unless written stipulation on the contract SPECIAL COTATIONS shall be open for acceptance within 30 days. ORDERS 4. Orders should be in writing. Verbal orders are not accepted. The customer is responsible for any errors of description or quantity or date of delivery in goods supplied thereafter. CARRIAGE 5. Carriage will be paid over 1500 Dollars by us on goods bought in accordance with our current price list and conditions delivery on continental USA. Charges will be added for special or express deliveries in other countries. SURCHARGES 6. A handling charge of 15 dollars will be added to invoices of less than 50 dollars. 7. Our current price lists are for goods supplied according to our published catalogue. 7bis. Where the customer requires 100% testing or other special quality control procedures, the cost of such procedures will be added to the price of the goods but before such goods are manufactured or supplied, the customer will be notified if any additional charge is to be made. 8. Invoices credited as a result of customer error will imply a service charge of 15%. 9. Maximum payment terms are within 2 months following month of the invoice. 12. Customers paying on a pro-forma basics because of slow payment will not be entitled to any discount. Pro-forma consignments will be dispatched when funds are cleared. 13. Time for payments shall be of the essence. 14. Interest shall be chargeable at 3% over the current bank of France on all overdue payments. CREDIT LIMIT 16. A credit limit applies to every account and will be disclosed upon request or will automatically be disclosed if the Customer's order would cause the credit limit to be exceeded. CONDITIONS 17. The goods specified on our invoices are in accordance with the current price list and descriptions supplied by us and if it varies in any way from the requirements of the Customer's order, the invoice will prevail, unless the Customer notifies us within 3 days after receipt of the invoice. 18. All goods sold by us are offered and sold to the trade and the Customer shall be responsible for the installation which must be done by properly trained staff. If the Customer sells any such goods in retail, then he shall be responsible for the provision of proper labels and instructions as required by the Department of Trade and Industry and/or any other Authority for the time being empowered to make any requirements as to the sale or installation thereof. 19. The Customer should inspect all goods within 2 days of receipt and report discoverable defects in writing. Compensation for discoverable defects is limited to replacement of faulty goods or refund of the invoiced price upon return of faulty material. 20. If a customer requires credit for goods return, goods must be returned to us and credit will only be considered on receipt of these goods. The Customer shall be responsible for conditions of the goods and if the same are returned to us damaged, we shall be entitled to deduct the cost of such damaged goods from any credit to which the Customer may be entitled. 21. Delivery time on the offer is approximate only. We shall be excused for late delivery caused by exceptional events such as Civil disturbance, strikes, lock-outs, fire, flood, delays caused by Carriers and any other cause beyond our control, and in such event, the time of delivery shall be extended commensurately with the length of the said delay. 22. If credit is obtained by the Customer, goods remain our property until payment in full is recovered by us and the Customer may not deal (except in the ordinary course of business) with such goods nor charge the same to any third party. The proceeds of sale of these goods shall be held in trust for us by the Customer and we shall have the right as our option to trace and recover the goods and/or such proceeds of sale. 23. If the goods are delivered in different steps, each delivery shall constitute a separate contract and the prices thereof shall be payable by the Customer in accordance with the terms of payment contained herein. The Customer shall not be entitled to withhold payment because of any delay or alleged defect in other deliveries. 24. All descriptive matter, catalogues, price list or advertisements, whether or not supplied with and proposal or cotation given in good faith, shall not be part of the contract. 25. These conditions and the specific terms as to description, quantity and price of goods, delivery and insurance constitute the whole contract between LEDTOLIGHT S.A.S. and the Customer. 26. The failure of any single condition shall not affect any other conditions. 27. **LIMITED CONSUMER WARRANTY** The limited warranty set forth below is given by LEDTOLIGHT («Seller») with respect to the lighting product packaged with this limited warranty (the «Product»). Your Product, when delivered to you in new condition in its original packaging, is warranted against defects in materials as follows: for a period of three (3) years warranty from the date of original purchase for all LEDTOLIGHT lighting (except Pixled line). Our power supplies have a warranty up to three years according to model (*). Other LEDTOLIGHT products have a one (1) year warranty from the date of original purchase, defective parts or a defective Product returned to Seller, or its authorized service providers, as applicable, and proven to be defective upon inspection, will be repaired, or exchanged for a new Product, as determined by Seller, or the authorized service provider. This limited warranty covers all defects encountered in normal use of the Product, and does not apply in the following cases: Loss of or damage to the Product due to abuse, mishandling, alteration, accident, electrical current fluctuations, failure to follow operating, maintenance or environmental instructions prescribed by Seller in writing or services performed by someone other than Seller or its authorized service provider. **WARRANTY IS VOID IF PRODUCT IS NOT USED FOR THE PURPOSE FOR WHICH THIS PRODUCT IS MANUFACTURED.** Any complaints you may have regarding the product should be addressed to:

LEDTOLITE 11B, Rue de Courtaulin, 77700 MAGNY LE HONGRE, FRANCE

*See our power supply references on our products pages.

PRIX -Nos prix s'entendent "emballage standard compris". Un emballage non standard fera l'objet d'une facturation additionnelle. Il est précisé dès l'émission du devis, suivant le luminaire, si la source d'éclairage est comprise ou non dans le prix. L'absence de précision signifie que le prix de luminaire ne comprend pas la source d'éclairage. CONDITIONS DE DELAIS Les expéditions sont faites en port dû pour toute facture inférieure à 1.200 euros hors taxes selon nos choix de transport ou selon le mode de transport demandé par le client. Si la facture est d'un montant supérieur à 1.200 euros hors taxes, les frais d'expédition seront pris en charge par LEDTOLITE, le choix du transporteur lui est alors réservé. Toute demande exceptionnelle sera à la charge du client. Les conditions de transport dites "expresses" feront systématiquement l'objet d'une facturation spéciale additionnelle et proportionnelle au montant supplémentaire facturé par le transporteur. FACTURATION Nos factures sont établies sur la base des prix en vigueur au jour de la livraison. Le prix du transport sera apparent. Le matériel en prestation, dont les échantillons, sera facturé et fera l'objet d'un avoir en cas de retour. Tout échantillon non retourné à l'issue d'une période de 45 jours sera facturé. CONDITIONS D'EXPEDITION Nos marchandises voyagent aux risques et périls du destinataire. Il appartient donc au destinataire de : -Vérifier, au moment de la réception, l'état et la quantité des produits en procédant, au besoin, en présence du transporteur, à l'ouverture des colis dont l'aspect serait douteux. -Formuler en cas d'avarie ou de manquant, des réserves sur le récépissé du transporteur, spécifiant la nature et l'importance des dégâts constatés (bruits de casse, colis endommagés, colis manquants,.....) -Confirmer ces réserves par lettre recommandée au transporteur dans les trois jours ouvrables suivant la date de livraison, la non-observation de cette obligation empêchant toute action à l'encontre du transporteur. Des réserves imprécises ou générales, telles que : "sous réserves de déballages" ou "sous réserves de contrôle quantité et qualité", apposées sur le récépissé du transporteur sont nulles et n'ont aucune valeur légale. DELAIS Nos délais de livraison sont donnés à titre indicatif, sans garantie, et n'engagent pas notre responsabilité contractuelle, même si nous mettons tout en œuvre pour les respecter. Leur dépassement ne peut donner lieu à aucune retenue ou indemnité, notre prestation étant considérée réalisée dès la livraison du produit au lieu convenu. REGLEMENT Sauf accord préalable, nos factures sont payables à réception, net et sans escompte. La première commande sera livrée contre remboursement. Un acompte de 30 % sera demandé pour toute commande de matériel En cas de retard de paiement par rapport à l'échéance figurant sur la facture, les sommes dues seront majorées d'une pénalité de retard. Cette pénalité est calculée en conformité de la loi 2001-420 du 15.05.01 et de l'article 3.1 de la loi 921442 du 31.12.92. Le retard de paiement déclenche également la déchéance du terme, toutes les sommes non échues deviendront immédiatement exigibles et porteront intérêt au taux légal conformément à l'article 1153-3 du code civil. RECLAMATION Les réclamations portant sur les livraisons ne seront acceptées qu'à condition qu'elles soient faites dans un délai maximum de 48 heures après la réception de la marchandise. RETOUR DE MARCHANDISES Aucun retour ne peut être effectué sans un accord écrit préalable de notre part. En cas d'acceptation, le matériel devra nous être retourné sous condition "franco de port" à l'adresse indiquée, dans son emballage d'origine, et en parfait état. Dans le cas d'un retour autorisé, consécutif à une erreur du client, l'avoir correspondant sera grevé du montant du coût du transport "aller et retour". LITIGES En cas de contestation quelconque, il est fait expressément attribution de juridiction au Tribunal de Commerce de Paris. En nous confiant sa commande, le client déclare expressément avoir pris connaissance des conditions générales de vente de LEDTOLIGHT, et les accepter. CLAUSES DE RESERVES DE PROPRIETE En application de la loi du 12 mai 1980, les marchandises livrées restent la propriété de LEDTOLIGHT à titre jusqu'au paiement intégral de celle-ci. L'acheteur devient donc propriétaire de la marchandise livrée après l'entier paiement de son prix, le vendeur s'en réservant la propriété jusqu'à cette date. Toutefois, l'acheteur prendra à sa charge les dommages subis ou causés par ladite fourniture dès qu'il entrera en sa possession. Il prendra les assurances nécessaires pour couvrir ce risque. Garantie limitée exposée au-dessous est offerte par LEDTOLITE («le Vendeur») par rapport au produit de l'éclairage (LvED) emballé avec cette garantie limitée (le «Produit.») Votre Produit, une fois qu'il vous est livré dans la nouvelle condition dans son conditionnement original, est garanti contre les défauts comme suit: Pendant une période de trois ans (3) la garantie commence depuis la date originale d'achat pour tout appareil d'éclairage de LEDTOLITE (exclut la ligne de Pixled.) Nos alimentations sont garanties jusqu'à trois ans suivant modèle (*). Les autres produits de LEDTOLIGHT ont un an (1) de garantie depuis la date originale d'achat, parties défectueuses ou un Produit défectueux rendu au vendeur ou ses fournisseurs autorisés seront réparés ou échangés contre un nouveau Produit une fois inspectés Cette garantie limitée couvre tous les défauts rencontrés dans l'utilisation normale du Produit, et n'applique pas dans les arguments suivants: défauts qui proviendraient du non respect des prescriptions d'utilisation, d'une cause étrangère au matériel (mauvaise installation électrique, surtension, foudre, etc...) ou de toutes modifications ou intervention du client ou d'un tiers, sans notre accord. Aucune indemnité ne sera accordée pour privation de jouissance. Si vous avez des questions concernant nos produits adressez à l'adresse suivante:

LEDTOLIGHT - USA

*Voir références de nos alimentations sur nos pages produits.

